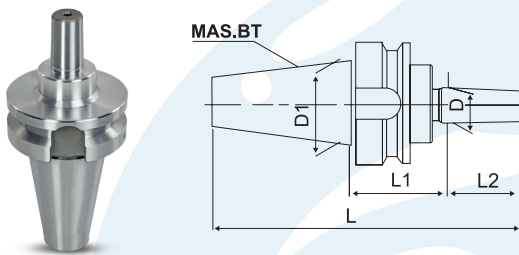


Keyless Drill Chuck



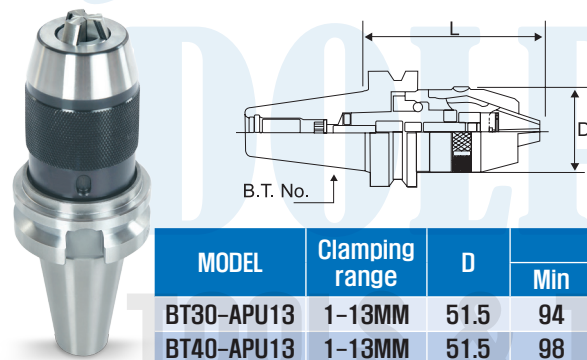
Model	Capacity	Taper	d	h	D	L	l
1/4"/6MM	0.5-6MM	JT1	10	14.5	35	67	61
3/8"/10MM	1-10MM	JT2	12	18.5	42	86	78
1/2"/13MM LIGHT	1-13MM	JT6	17.17	21	44	86	76
1/2"/13MM HEAVY	1-13MM	JT6	17.17	24	48	97	88
5/8"/16MM	3-16MM	JT3	20.599	24	52	108	98
3/4"/20MM	3-20MM	JT3	20.599	30.5	62	128	118

BT Drill Chuck Adaptor



MODEL	L2	L	D	D1	M
BT30-JT6	22.225	101.00	14.199	41.75	M12
BT40-JT6	22.225	132.6	14.199	44.45	M16

Integrated Keyless Drill Chuck



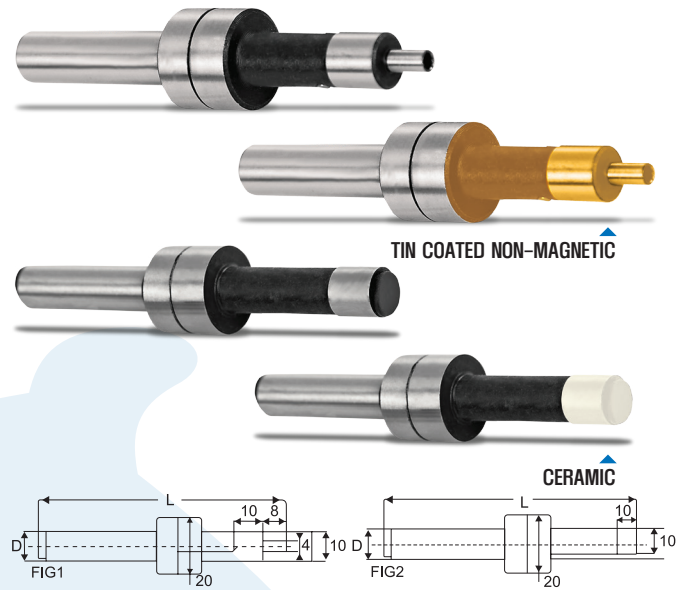
MODEL	Clamping range	D	L	
			Min	Max
BT30-APU13	1-13MM	51.5	94	105
BT40-APU13	1-13MM	51.5	98	109
BT40-APU16	3-16MM	58.0	115	130
BT50-APU13	1-13MM	51.5	98	109
BT50-APU16	3-16MM	58.0	115	130

Key Type Drill Chuck



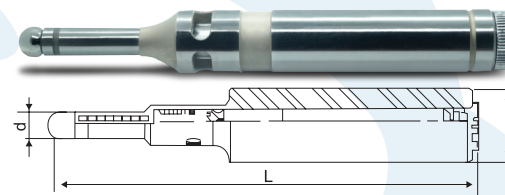
Size	Range	Taper
1/2" (13MM)	1-13MM	JT-6
3/4" (20MM)	3-20MM	JT-3
Stainless Steel	0-4MM	JT-0

Mechanical Edge Finders (Steel/Ceramic/Tin Coated)



MODEL	D(mm)	L1
4MM	4	90
10MM	10	83

Optical Edge Finders with Sound & Light



MODEL	D(mm)	L(mm)	D(mm)	Wt.
ES-20	20	160	10	0.28

MT Series Adaptor



SHANK	ER 16	ER 20	ER 25	ER 32	ER 40	ER 50	FMB-22 /27/32	SLA-25 /32/40
MT-2	✓	✓	✓	✓				
MT-3	✓	✓	✓	✓	✓		✓	✓
MT-4				✓	✓		✓	✓
MT-5					✓	✓		

Flange Type Adaptors



MODEL / RANGE
ER 32 - DIA 80mm
ER 40 - DIA 80mm